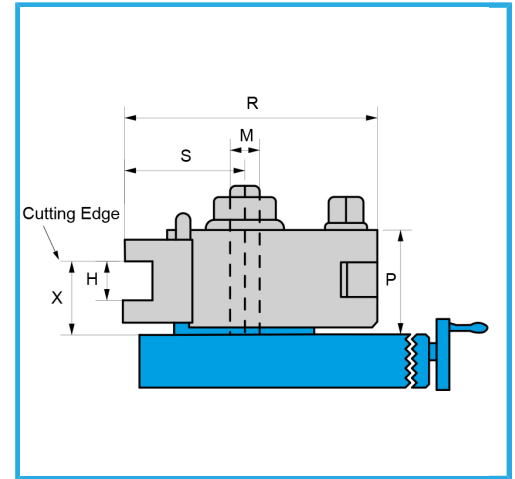


WITH HARDENED AND GROUND TOOTHING. BY ACTING ON AN ECCENTRIC PIN, THE TOOL HOLDER IS LOCKED ON THE TOOTHING OF THE BODY. IT...



R max	202 mm
S max	105 mm
P	102 mm
h	32 mm
X min	47 mm
M	24,6 mm
Gross weight	24,67 kg
Packaging dimensions	330x260x225 h mm
EAN Code	8012667191122



Box