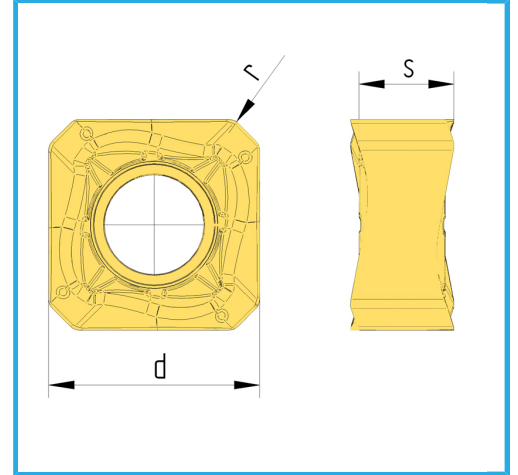


45°



**Dimensions**

|              |               |
|--------------|---------------|
| d            | 12 mm         |
| a            | 12,70 mm      |
| S            | 1,80 mm       |
| d1           | 5,56 mm       |
| a°           | -             |
| Pack         | 10            |
| Gross weight | 0,01 kg       |
| EAN Code     | 8012667359829 |



Box

