

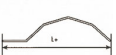
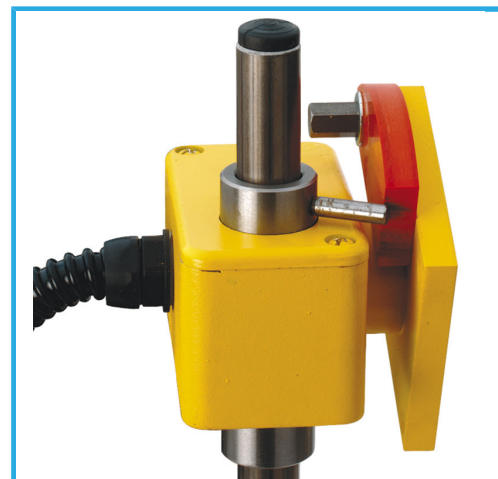


ADJUSTABLE AND TILTING HEIGHT, LEXAN SCREEN, SAFETY MICROSWITCH.



STELO	L	L	L
mm.	400	500	600
SCHERMO	H x L	H x L	H x L
mm.	150 x 300	150 x 400	200 x 400
FORMA SCHERMO			



Shaft length

400 mm

Shield

150 x 350 H x L mm

Gross weight

2,00 kg

EAN Code

8012667184650

