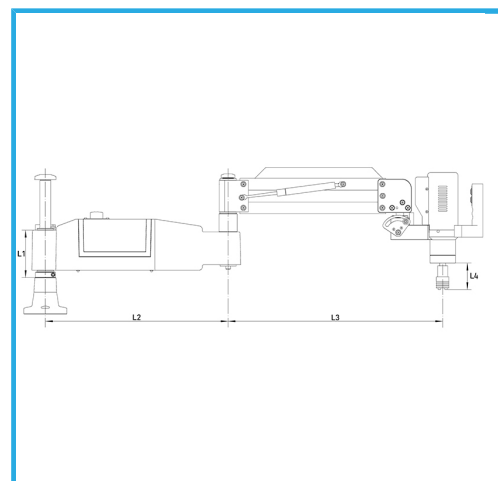


ARTICULATED ARM WITH 2 JOINTS FOR QUICK AND PRECISE POSITIONING OF THE TAPPING TOOL. THE HEAD IS TILTABLE AND THE SPINDLE SPEED...



Metric threads	M3 - M16
Inch threads	1/8" - 7/16"
Head tilt left and right	0° - 90°
L1	130 mm
L2	500 mm
L3	545 mm
L4	75 mm
Range of action	Min. 330 mm - Max. 1045 mm
Base locating slot	4 x 90° - Ø100 mm
Column	Ø 30 mm
Variable spindle speed	0 - 312 rpm
Motor	230 V 50/60 Hz 0,6 kW
Net weight	32 kg
Gross weight	40,00 kg
EAN Code	8012667416362

Included

M3- M16 tap holder sockets
Service Keys