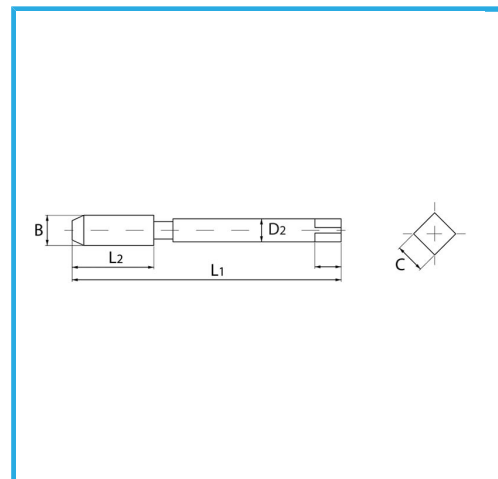
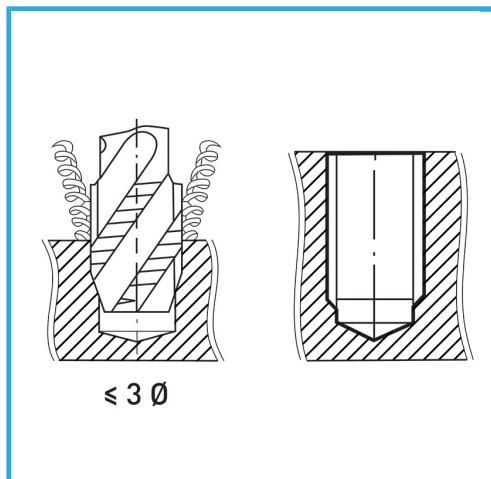


METRIC COARSE PITCH (MA) THREADING WITH REINFORCED SHANK:
TITANIUM CARBONITRIDE COATING COMBINED WITH COBALT STEEL
FURTHER...



B	M3 x 0,50 mm
L2	11 mm
L1	56 mm
D2	3,5 mm
C	2,7 mm
EAN Code	8012667417017
Gross weight	0,01 kg



Box



HV=880



External



376/C