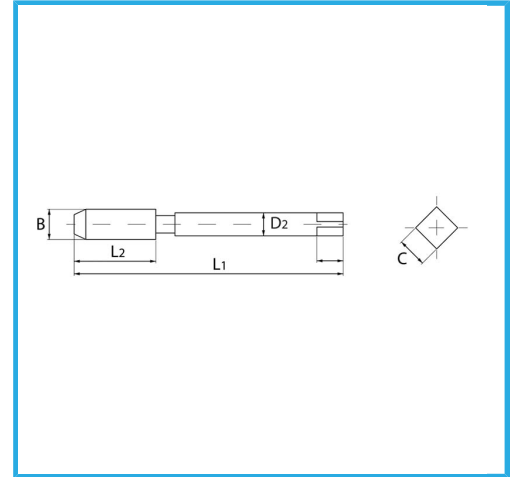
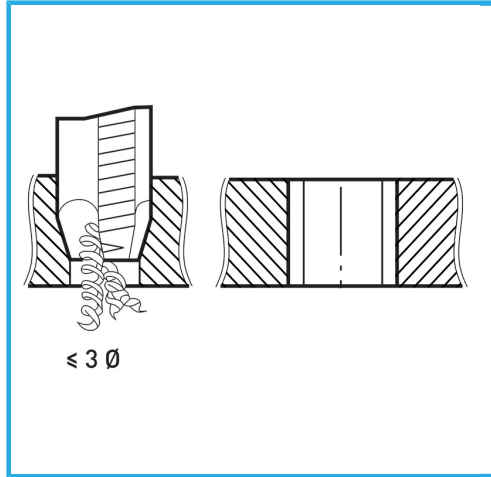


METRIC COARSE PITCH (MA), TITANIUM CARBONITRIDE COATING
COMBINED WITH COBALT STEEL FURTHER REDUCES FRICTION
COMPARED TO TITANIUM..



B	M12 x 1,75 mm
L2	29 mm
L1	110 mm
D2	9 mm
C	7 mm
EAN Code	8012667416980
Gross weight	0,19 kg



Box



HV=880



External



376/B