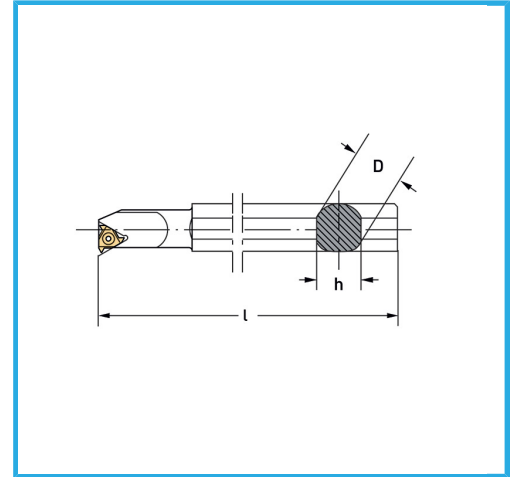
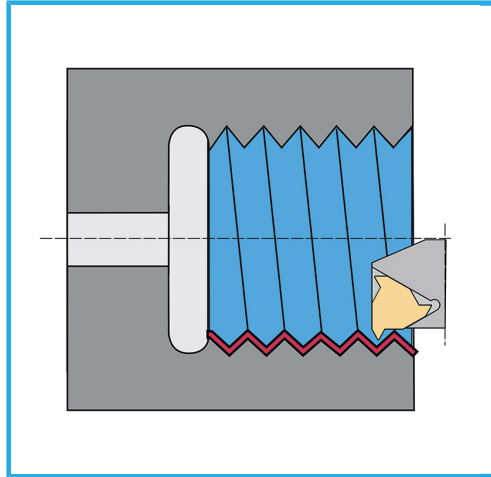


CONSISTING OF INTERNAL THREADING TOOL (1 PC), SPARE M3,5 X 12MM SCREW (1 PC), 2.5MM HEX WRENCH (1 PC), T15 TORX WRENCH (1 PC)...



Int. tool holder	SNR25
Insert	16IR...
Torx key	T15
Screw	M3,5 x 12 mm
D	25 mm
h	23 mm
l	200 mm
Packaging dimensions	240x185x55 h mm
Gross weight	1,15 kg
EAN Code	8012667260620



Satin



Nickel plated



External



15 Pcs



Carrying case