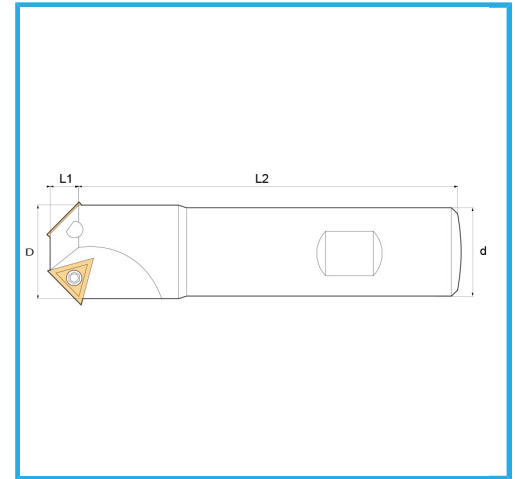
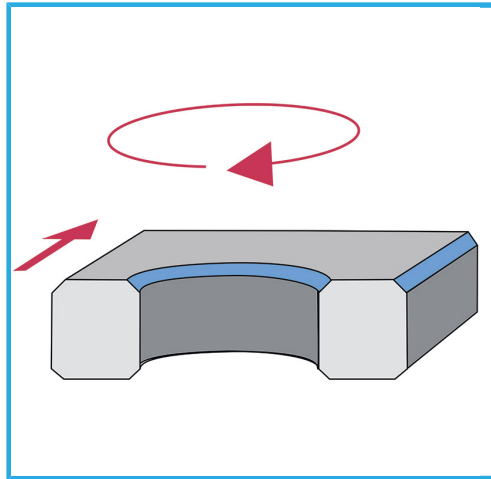
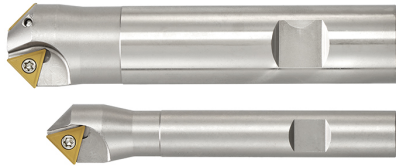


WITH CYLINDRICAL SHANK, FOR DEBURRING OF HOLES, SLOTS AND POCKETS, FOR MILLING PLATE EDGES.



<b>D</b>	16/22 mm
<b>d</b>	12/20 mm
<b>L1</b>	7 mm
<b>L2</b>	90/100 mm
<b>Z</b>	1 / 2
<b>Screw</b>	KV250
<b>Insert (not included)</b>	TCMT1102
<b>Gross weight</b>	0,33 kg
<b>Packaging dimensions</b>	100x40x40 h mm
<b>EAN Code</b>	8012667179557



Box



Satin



Nickel  
plated



External