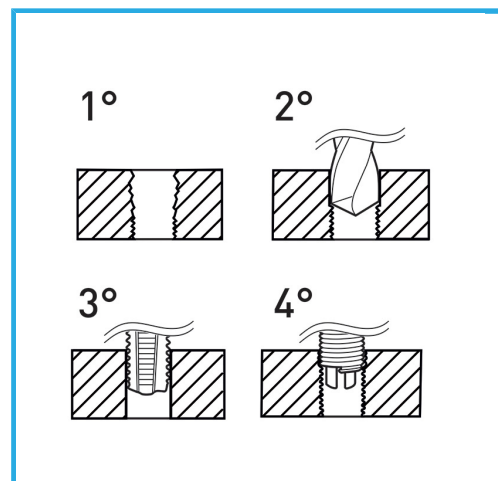


SUITABLE FOR THREAD REGENERATION OR TO OBTAIN VERY RESISTANT TAPPING IN SOFT MATERIALS.



Sizes	BSF 1/4" - 1/2"
STI Taps	1/4"x26 - 5/16"x22 - 3/8"x20 - 7/16"x18 - 1/2"x16
Drills	6,6 mm - 8,3 mm - 9,9 mm - 11,5 mm - 13 mm
Wire-thread inserts	1/4"=25 - 5/16"=25 - 3/8"=25 - 7/16"=10 - 1/2"=10
Inserting tool	5 Pcs
Tang break tool	5 Pcs
Packaging dimensions	365x275x50 h mm
Gross weight	2,58 kg
EAN Code	8012667367060



Carrying case



115 Pcs



HSS

-



INOX

-