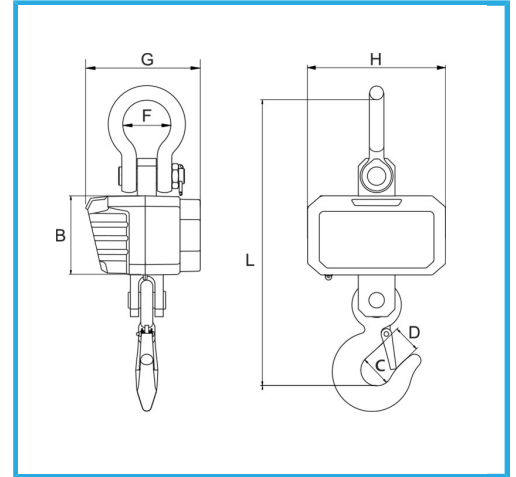


WITH CAST ALUMINUM STRUCTURE, EQUIPPED WITH BATTERY,
CHARGER, INFRARED REMOTE CONTROL AND SOUND SIGNAL DOUBLE
UNIT OF...



Digits sizes	40 x 20 mm
Capacity	1000 kg
Accuracy	± 0,5 kg
Reading	0,5 kg
Minimum weighing	0,5 kg
Max weight	150%
Battery	1 x 6 V 4 Ah
Net weight	7,1 kg
B	119 mm
C	37 mm
D	22 mm
F	50 mm
G	163 mm
H	198 mm
L	360 mm
EAN Code	8012667386108
Gross weight	5,00 kg
Packaging dimensions	510x345x300 h mm



Box

Included

Battery charger
6V 4Ah battery
Infrared remote control
Upper shackle
Hook with anti-slip
device