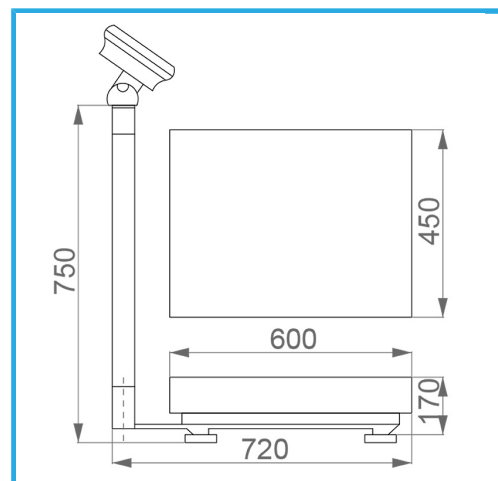


NOT LEGAL FOR TRADE WITH 6 V 4 AH BATTERY AND TRANSFORMER.



Capacity	150 kg
Reading	10 g
Rechargeable battery	1 x 6 V 4 Ah
Net weight	17 kg
Gross weight	17,52 kg
Packaging dimensions	980x530x225 h mm
EAN Code	8012667244187



Box

**Included**

<div>Battery - Art.  
0561/B</div>