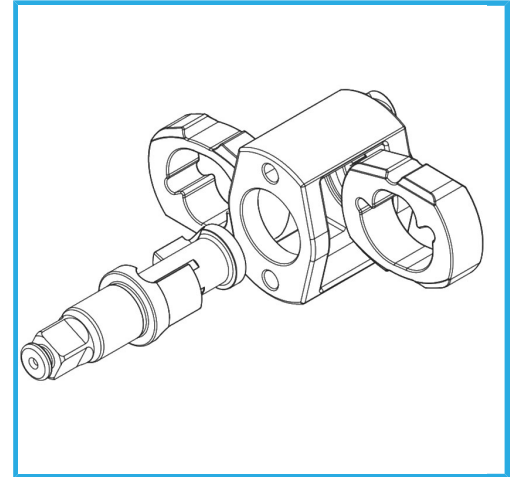
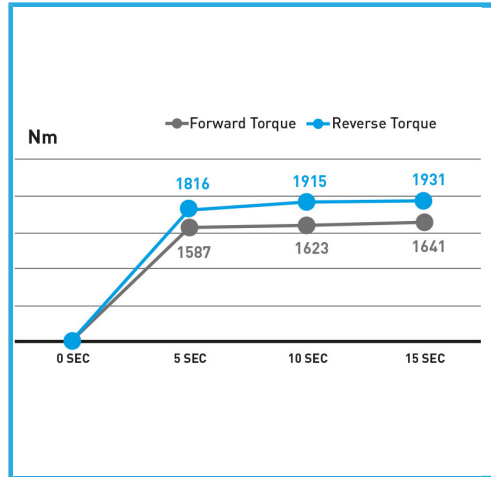


PROFESSIONAL SERIES. IN COMPOSITE MATERIAL, HANDLE AND HEAD IN SHOCKPROOF RUBBER. OPERATING LEVER, CHANGE OF ROTATION AND SPEED..



<b>Speed</b>	5300 rpm
<b>Torque</b>	1900 Nm   1400 lb-ft
<b>Avg air cons.</b>	224 L/min   8.1 SCFM
<b>Working pressure</b>	6 bar   90 psi
<b>Air inlet</b>	3/8"
<b>Net weight</b>	3,3 kg
<b>Packaging dimensions</b>	250 x 235 x 95 h mm
<b>Gross weight</b>	3,63 kg
<b>EAN Code</b>	8012667346317



Box



3/4"